

Images may include options.

Programmable Jeans Front Pocket Taping System

The single upturn hemmer hems the curved front pocket while attaching the pocket lining and tape. An electronically controlled fast action knife cuts the tape flush without stopping.

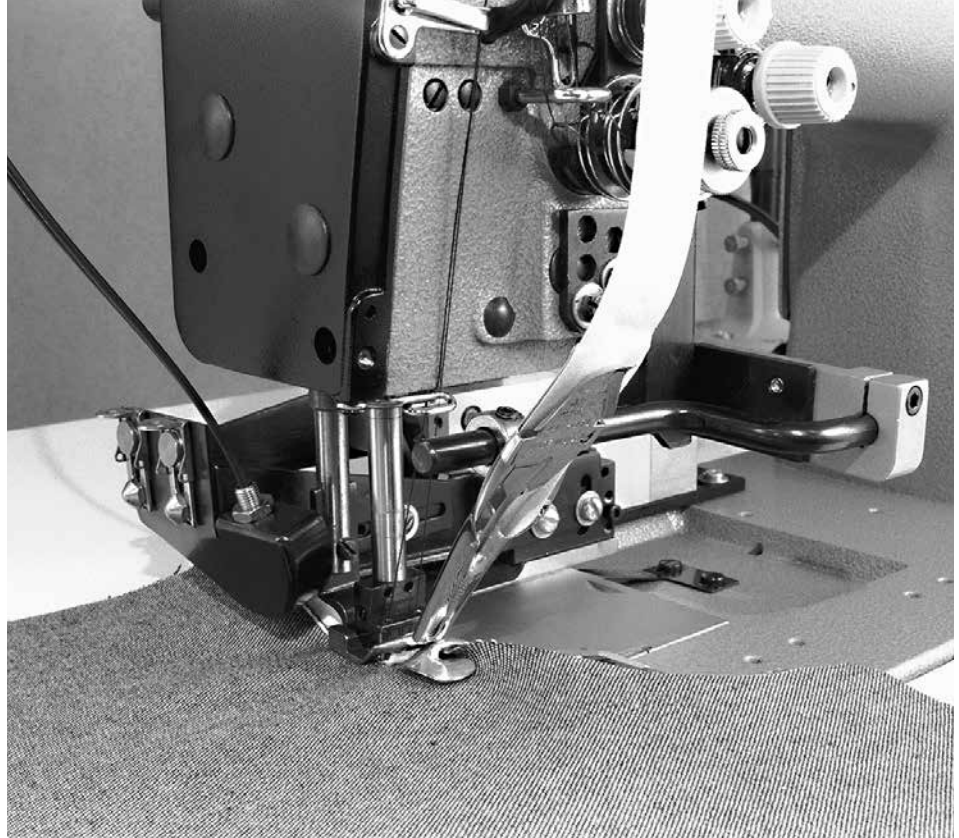
- Self-contained system does not require electronic motor
- Hems & tapes curved jeans front pocket without twist or roll-out
- Separate controls for hemming left and right pockets
- Most industrial two-needle lock-stitch sewing machines.

OPERATION

The operator places the pocket and the lining in the folder. Sewing begins and the fast action knife cuts the tape flush on the leading edge. At the completion of sew, the trailing edge tape is also trimmed flush.

PRODUCTION

Approximately 207 pieces per hour depending on material and size of parts.-



SPECIFICATIONS

Voltage (v/ph/hz)	220v 1ph
Current (amps)	60
Air pressure (psi)	90
Air consumption (cfm)	4

www.atlatt.com • sales@atlatt.com

PATENTS: Our equipment may be covered by one or more patents. Please go to the following web page for an up-to-date patent list: www.atlatt.com/patents.php
© 2018 Atlanta Attachment Co. 17168042718

362 Industrial Park Drive
Lawrenceville, GA 30046 USA
+1 (770) 963-7369 • FAX +1 (770) 963-7641



Atlanta Attachment Company

The Company that
Sudden Service
built